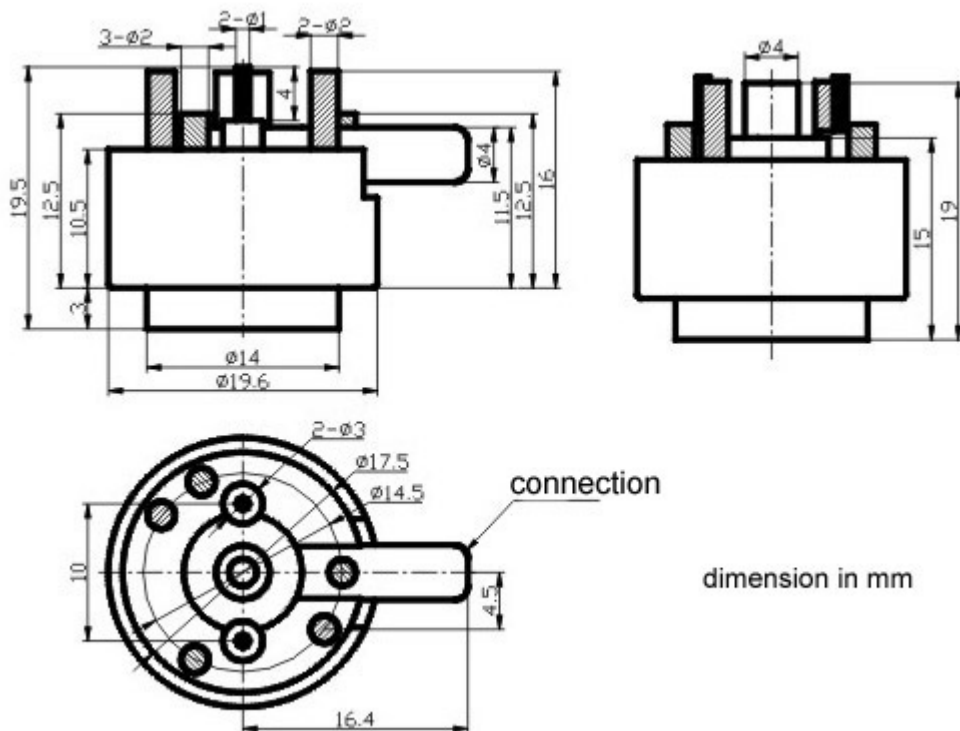


## LFS-01 Vacuum Pressure Switch (10-800 mbar)

LFS-01 vacuum pressure switch is applied to detection of both negative and positive pressure, such as the family vacuum cleaner. LFS-01 vacuum pressure switch is provided with solder pin connections and is especially designed for mounting on "Printed Circuit Boards", but can also be provided with different wire leads, terminals and socket. LFS-01 vacuum pressure switch is designed as an economical interface between pressure systems and Printed Circuit Boards with almost no hysteresis.



E228961



[Click here](#)

Model	LFS-01
Electrical Function	1 pole NO
Switch Rating	20 mA, 250 V
Temperature	-10~95°C

Electrical Connections	Solder pins 1.0 mm, 10mm between awayfromeach other; or wire leads with different insulation, diameter and length, socket	
Pressure Range	Vacuum: 10mbar to 800mbar Pressure: 10mbar to 500mbar (1mbar=100Pa)	
Sample Line Connections	Inlet 4.0 mm for tube connection	
Medium	Non hazardous gas only	
Fixing Methods	Soldering on PCB	
Material	Housing	Polycarbonate
	Contact Carrying Parts	Brass Silver Plated (Gold plating on request)
	Membrane	Silicone Rubber

Conversion: 1mbar = 100 Pa 1 in/H2O= 249 Pa